

60cm Built-in Air-Fry Electric Oven



MODEL CAO611

AVAILABLE IN WHITE OR BLACK GLASS



PRODUCT INFORMATION

FINISH

- Black glass or white glass
- Black control dial and black handle

FEATURES

- Central control dial knob
- Dial control thermostat
- Touch control digital timer
- Temperature range 50°C - 250°C (+ pizza 310°C)
- Digital control switch
- Removable inner glass door
- Detachable door
- Halogen cavity lamp

CAPACITY & INTERIOR

- 76 litres
- Cavity: 37cm High x 48.5cm Wide x 42.5cm Deep
- Chrome side racks
- 6 shelf positions
- Active enamel

SAFETY

- Triple layer glass door

FUNCTIONS

- 12 Cooking Functions
- Bottom & Top, Bottom, Grill, Fan Forced, Fan Assist, Fan & Bottom, ECO Grill, Ferment, Fan & Grill, Keep Warm, Defrost, Pizza 310°C

ACCESSORIES

- 1 x baking tray
- 1 x grill rack
- 1 x wire tray
- 1 x air fry basket tray

TECHNICAL INFORMATION

- Control panel height 113mm
- Max. power: 3.15kW
- Weight: 41kgs



CAO611B EAN 9347777005427
CAO611W EAN 9347777005410

AR01112023

DISCLAIMER

Eurolinx & Worldwide appliances Pty Ltd, is continually seeking ways to improve the design specifications, aesthetics and production techniques of its products. As a result alterations to our products and designs take place continually. Whilst every effort is made to produce information and literature that is up to date, this brochure should not be regarded as an infallible guide to the current specifications, nor does it constitute an offer for the sale of any particular product. Product dimensions indicated in our literature is indicative only. Actual product only should be used to define dimension cut outs. Distributors, and retailers are not agents of Eurolinx or Worldwide appliances and are not authorised to bind Eurolinx or Worldwide appliances by any express or implied undertaking or representation.

FOLLOW US ON:  [/artusi_kitchen_laundry_outdoor](https://www.instagram.com/artusi_kitchen_laundry_outdoor)

Australia National Telephone Number 1300 694 583
For showroom opening times, visit our website

[artusi.com.au](https://www.artusi.com.au)

NSW & ACT (Head Office)
48-50 Moore Street
Leichhardt
F 02 8569 4699

Victoria
2r/131 Church Street
Hawthorn

QLD
Contact Head Office

WA & NT
Contact Head Office

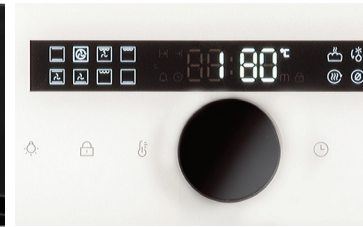
60cm Built-in Air-Fry Electric Oven



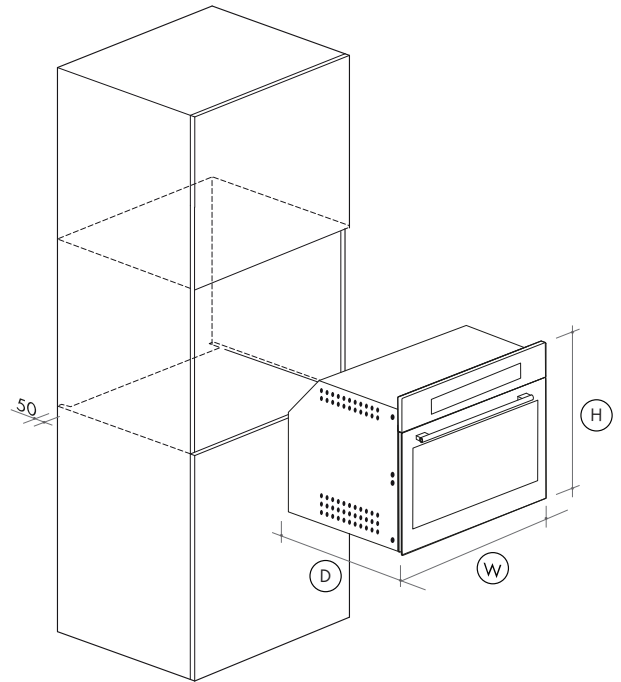
MODEL CAO611

AVAILABLE IN WHITE OR BLACK GLASS

TECHNICAL DIAGRAM



- W 595mm
- H 595mm
- D 570mm



NB: drawings are not to scale — for detailed installation instructions, please refer to user guide.

CAO611 Electric Oven
Total power: 3.15kW
Weight: 41kgs
Power: 15AMP GPO Fitted
Power lead: 1.5m long

CAO611B EAN 9347777005427
CAO611W EAN 9347777005410

AR01112023

DISCLAIMER

Eurolinx & Worldwide appliances Pty Ltd, is continually seeking ways to improve the design specifications, aesthetics and production techniques of its products. As a result alterations to our products and designs take place continually. Whilst every effort is made to produce information and literature that is up to date, this brochure should not be regarded as an infallible guide to the current specifications, nor does it constitute an offer for the sale of any particular product. Product dimensions indicated in our literature is indicative only. Actual product only should be used to define dimension cut outs. Distributors, and retailers are not agents of Eurolinx or Worldwide appliances and are not authorised to bind Eurolinx or Worldwide appliances by any express or implied undertaking or representation.

FOLLOW US ON:  [/artusi_kitchen_laundry_outdoor](https://www.instagram.com/artusi_kitchen_laundry_outdoor)

Australia National Telephone Number 1300 694 583
For showroom opening times, visit our website

[artusi.com.au](https://www.artusi.com.au)

NSW & ACT (Head Office)
48-50 Moore Street
Leichhardt
F 02 8569 4699

Victoria
2r/131 Church Street
Hawthorn

QLD
Contact Head Office

WA & NT
Contact Head Office