

# EFS54FC-SEW

## 54cm 5 Function Electric Freestanding Cooker

**Euromaid**



### KEY FEATURES

Finish	White
Oven Functions	5
Capacity	83L
Controls	Rotary knobs
Side Racks	Removable
Shelf Positions	5
Oven Light	Yes
Cooling System	Yes
Door Glass	Double glazed
Timer	Mechanical
Cooktop Type	Electric solid plate
Cooktop Elements	4
Power Levels	6

### OVEN FUNCTIONS

Function 1	Light
Function 2	Grill
Function 3	Fan Grill
Function 4	Fan Forced
Function 5	Defrost

### COOKTOP ELEMENTS

Front Left	1500W
Front Right	1000W
Rear Left	1000W
Rear Right	1500W

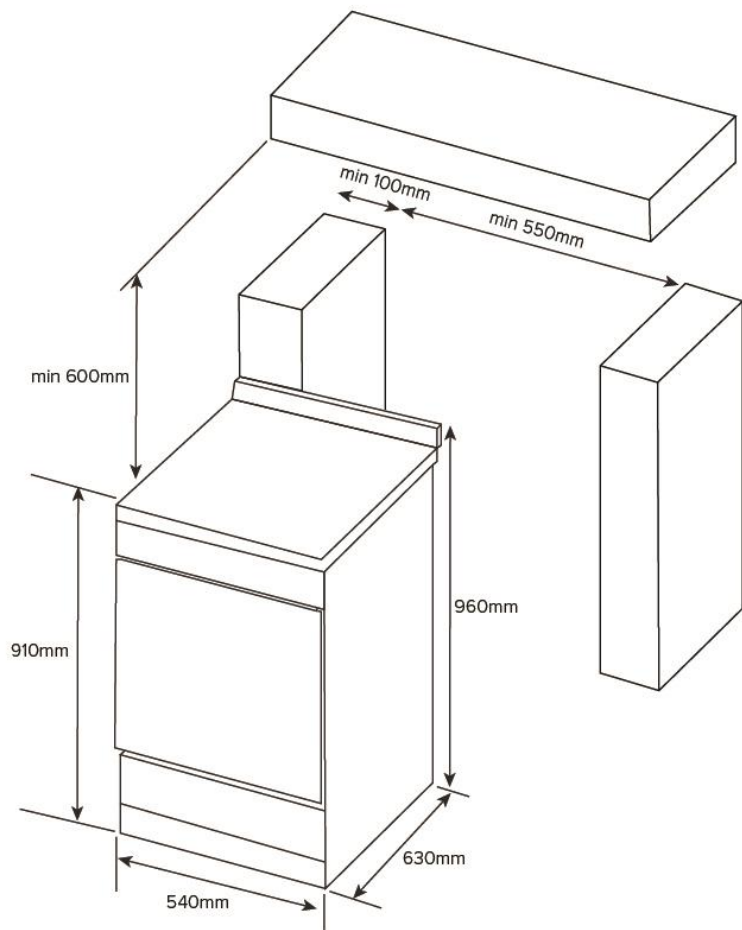
### ACCESSORIES

Chrome Shelves	2
Tray + Grill Insert	1

# EFS54FC-SEW

## 54cm 5 Function Electric Freestanding Cooker

**Euromaid**



### INSTALLATION

Electrical Connection	Hardwired
Power	220 - 240V / 50 - 60Hz
Total Wattage	6560 - 7810W

### DIMENSIONS (W x H x D)

Product Boxed (mm)	590 x 960 x 712
Product Un-boxed (mm)	540 x 910 x 630
Cut-Out (mm)	550 x 1510 x 630

### WEIGHT

Product Boxed (kg)	47.5kg
Product Un-boxed (kg)	42.5kg

### WARRANTY

2 Years	Parts and Labour
---------	------------------

VERSION NO. 20210629

Product and cut-out dimensions are to be used as a guide only. Please refer to actual product before installing, or refer to the instruction manual or website for full instructions

[www.euromaid.com.au](http://www.euromaid.com.au)